

Larco Specialty Products



USB Kiosk Mat

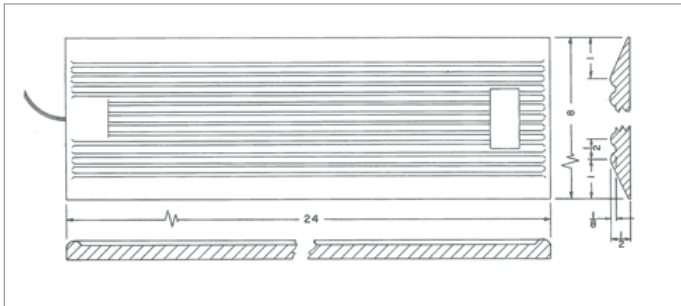
The USB kiosk mat, when used in conjunction with a kiosk, will automatically log a user off the kiosk once they step off of the mat to keep data safe and secure.

Larco offers a variety of innovative solutions for kiosk security and presence detection products to meet an array of needs. Providing our customers with products that are dependable and durable. Larco specialty products may be used in conjunction with Larco mats or other devices for optimum security.



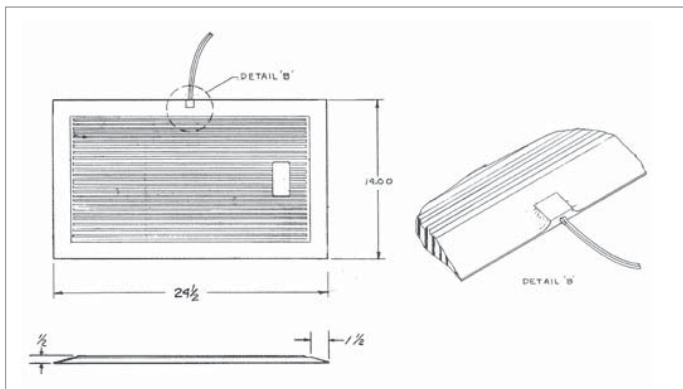
SonicGuard Computer Security

The sonicguard uses ultrasonic waves to detect a user's presence in a defined detection area determined by you.



Rollover Mat

The Rollover mat is used in door applications for ADA compliance and wheel chair access. This particular mat has also been used in vehicular counting applications and car wash activation.



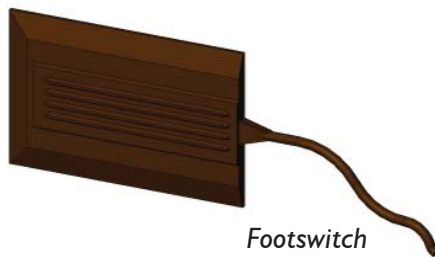
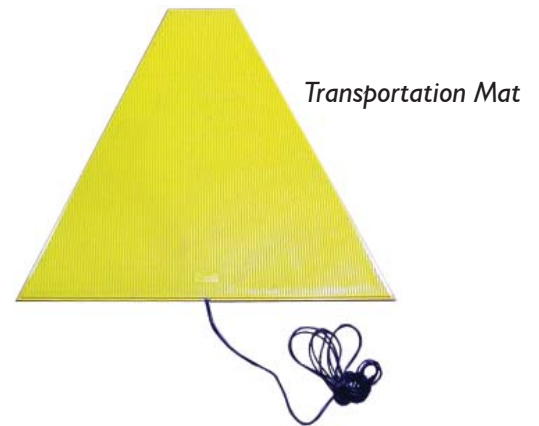
Watch Dog Mat

The Watch Dog mat is primarily used in retail stores to guard cash registers. When placed behind the counter and connected to the security system, it prohibits anyone from operating the cash register without actually standing on the mat.

Transportation mats are custom engineered to fit the exact shape and location within your particular application. All Larco mats are completely waterproof and durable.

Applications:

- Passenger control, including ticketing and flow diversion
- Data collection
- Prevention of the operator or driver engaging the drive system when passenger might be in a hazardous area.
- Driver notification when a wheel chair lift is occupied.



The footswitch is used in drive-up window applications for “hands free” sound system control, enabling staff to multi-task easier



The Dual Zone Mat features two distinct zones that can be used to monitor the number of people in the security portal prior to access.

Additional Applications:

- Automatic Partition/Wall Safety
- Eye Wash Station Activation
- Attraction and Display Activation
- Customer Awareness
- Camera Trigger
- Hazard Avoidance
- Toll Booth Activation

Mat Options Available:

- Special Sizes
- Custom Shapes
- Colors
- Surface Textures
- Monograms
- Labor Saver Tape
- Edge Styles

210 N.E. 10TH AVENUE, BRAINERD, MN 56401
WWW.LARCO.COM
800.523.6996 FAX 800.589.3705

Sizes and Applications vary.
Please call the factory for a price quote.