

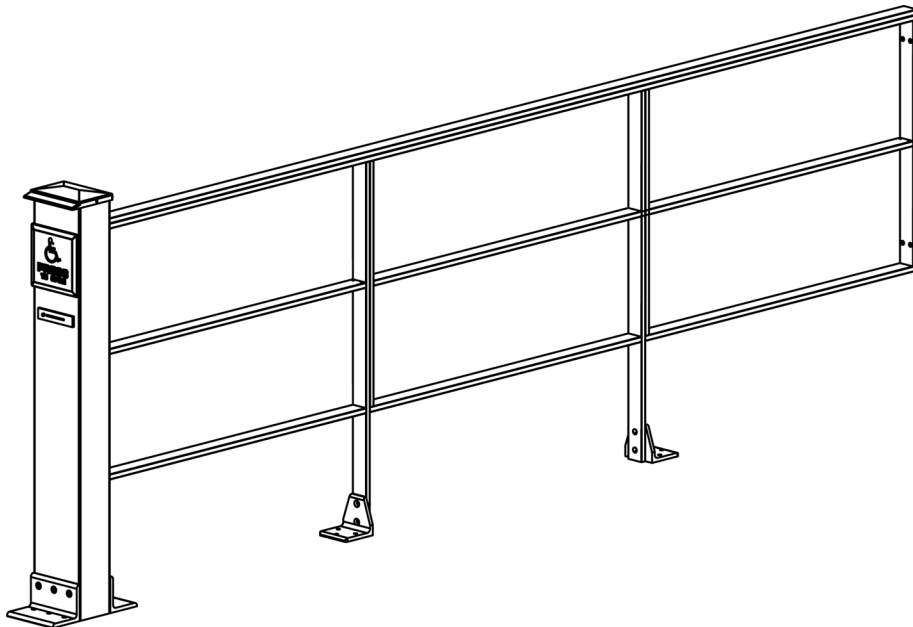
Security Access Control

Guide Rails and Card Readers Combine to Offer Security Solution

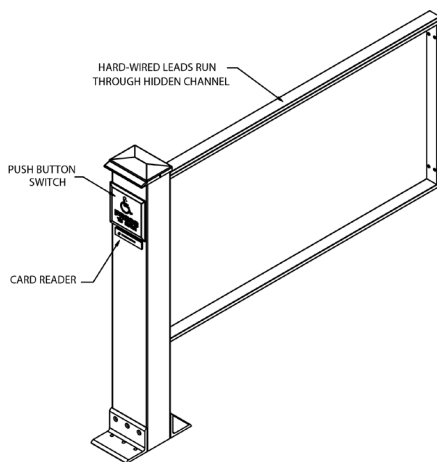
In the past, providing access control using card readers was difficult, because these devices must be hard-wired into the door jamb or operator. Larco has developed a new product that solves this problem by offering guide rail/remote post assembly combinations that offer housing for recognition devices and a means to efficiently and aesthetically route wires.

Specifications

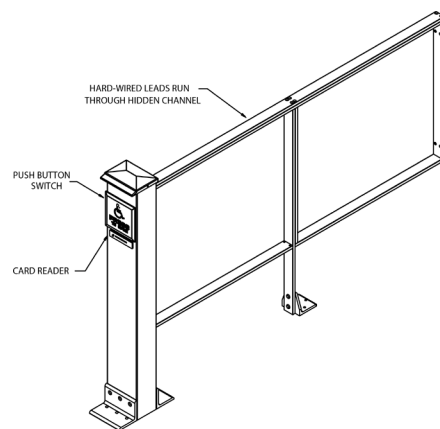
- **Material and Construction:** 1-1/2" x 1/2" 6063 T-5 anodized aluminum extrusion. (Heavy duty extrusions (1-3/4" x 1/2") are also available.)
- **Colors:** Standard finishes include clear or dark bronze. Custom colors, including black are available upon request.
- **Panels:** Standard panel color is black. Optional colors available include red, white and blue. Mesh panels are available in clear and bronze anodized aluminum.
- **Style:** Any of Larco's standard or custom guide rails can be used. Safety beams and wall switch channels can be added for an additional charge.
- **Designed to meet ANSI A156.10 standard for guide rails required on all swinging and folding automatic doors.**



Larco's attractive and durable anodized aluminum guide rails can be combined with Larco's remote post assembly to provide a complete access control solution. Card readers or other identification devices can be added to the remote post below the wall switch shown to control access to sensitive areas, and wires can be routed to door jambs or operators through the guide rails. The entire system is constructed of attractive and durable anodized aluminum.



Larco's floor to wall double guide rail combined with Larco's remote post assembly.



Larco's floor to wall double guide rail with vertical support combined with Larco's remote post assembly.

For more information on this or other Larco access control solutions, visit www.larcomfg.com!



PO Box 547 • 1902 13th Street SE • Brainerd, MN 56401
phone 218-829-9797 • toll free phone 800-523-6996
fax 218-829-0139 • toll free fax 800-589-3705

www.larcomfg.com



AD-TB17-June 2003